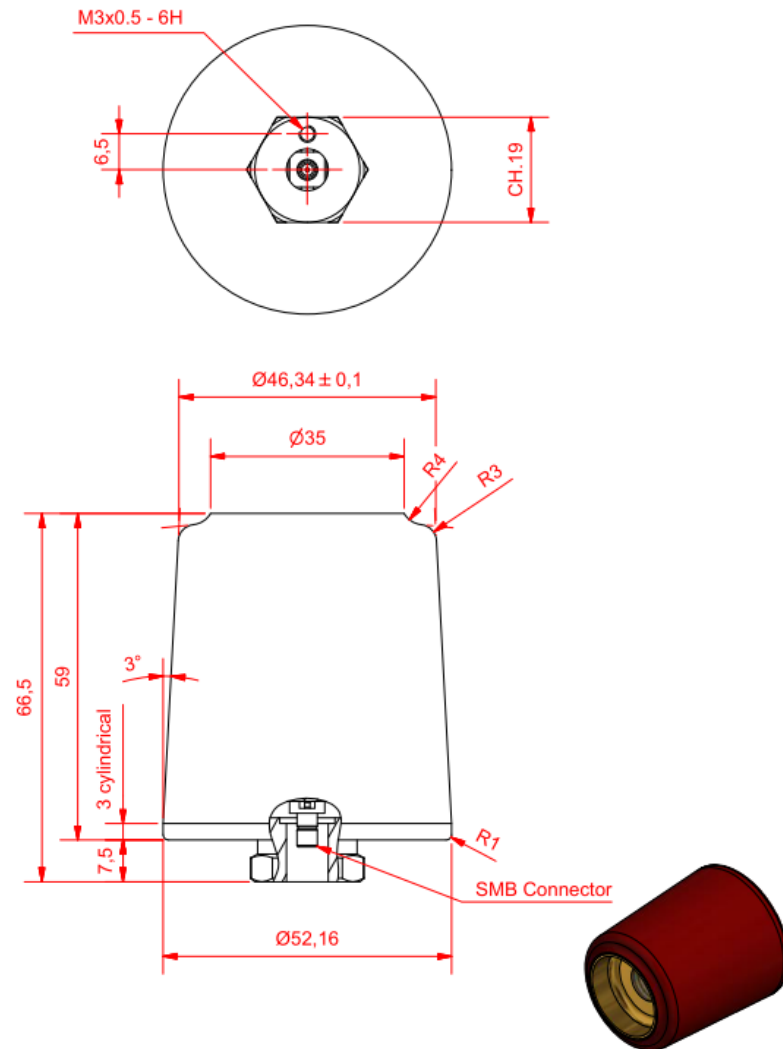




VS-24-BP



The **VS-24-BP** is a 24 kV voltage low-power transformer embedded into a back plug for asymmetrical T connectors. The voltage sensor is suitable for either measurement or protection purposes; the secondary signal must be connected to meters and relay of new generation, compatible with instrument transformers.

Its rated technical characteristics are in the table below.

\* parameter selectable by the Customer at the time of the order

Rated insulation level	24/50/125 kV
Accuracy class (via calibration correction factor in IED)	for protection 3P for measurement 0.5
Rated Burden, $R_{br}$ *	2 M $\Omega$ (or any value $\geq$ 1 M $\Omega$ )
Rated primary voltage, $U_{pn}$	20/ $\sqrt{3}$ kV
Rated secondary voltage, $U_{sn}$ *	3.25/ $\sqrt{3}$ V
Rated voltage factor, $K_u$	1.9 for 8h
Nominal frequency *	50 / 60 Hz
Nominal transformation ratio, $K_n$ *	20 kV / 3.25 V (or 10 kV / 1 V)
Installation condition	Asymmetrical separable "T" connector
Primary terminal capacity	6 pF
Weight	0.25 kg
Applicable Standards	IEC 61869-11, HD 629.1 S2
Bandwidth (-3 dB)	5 Hz - 5 MHz
Accuracy on harmonics	"Special Quality Metering", According to IEC 61869-11



[www.alteasolutions.com](http://www.alteasolutions.com)

Altea B.V. · Claude Debussylaan 18 · 1082 MD Amsterdam · The Netherlands

Phone: +31 20 625 6115 · Email: [info@alteasolutions.com](mailto:info@alteasolutions.com)